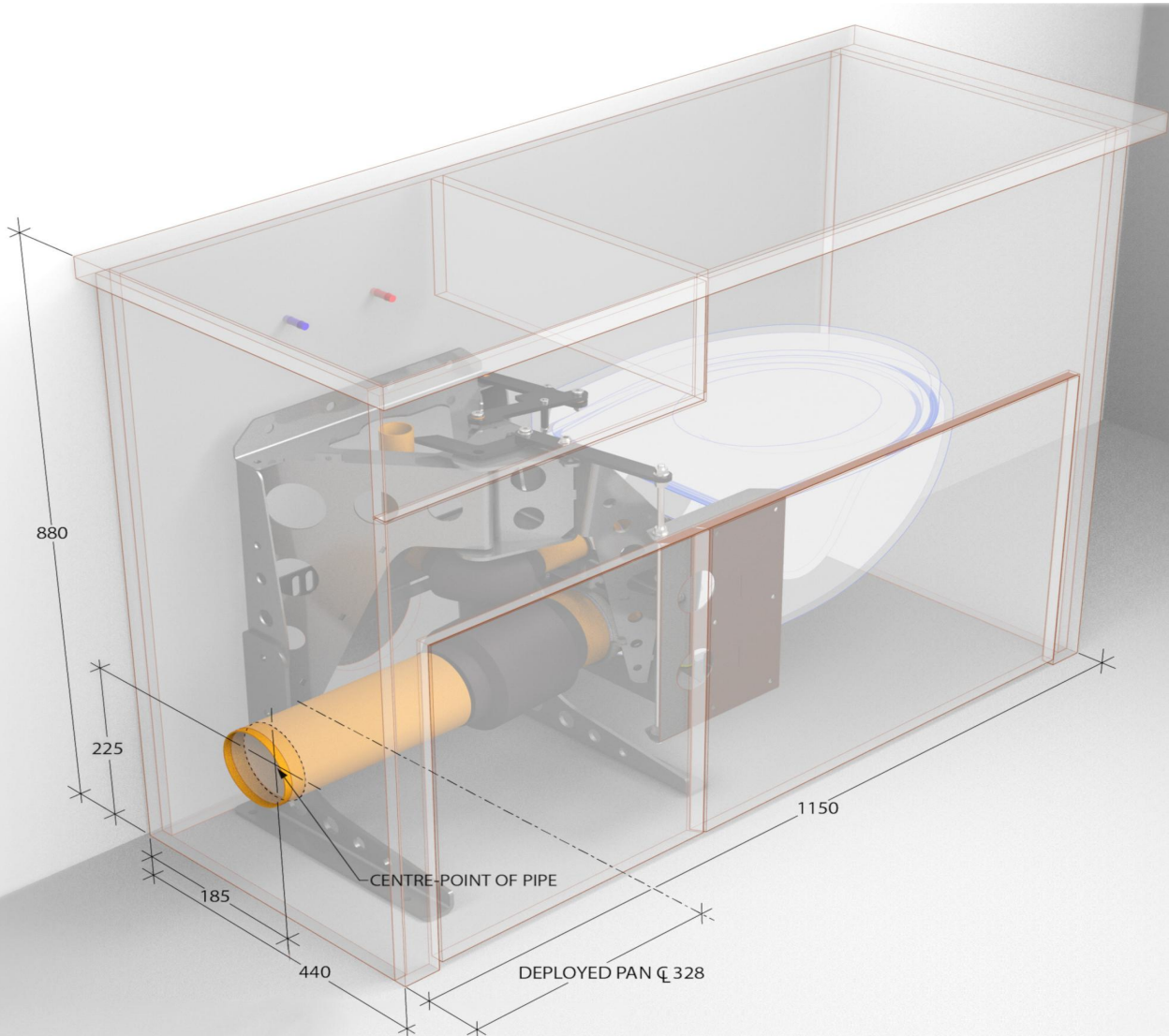
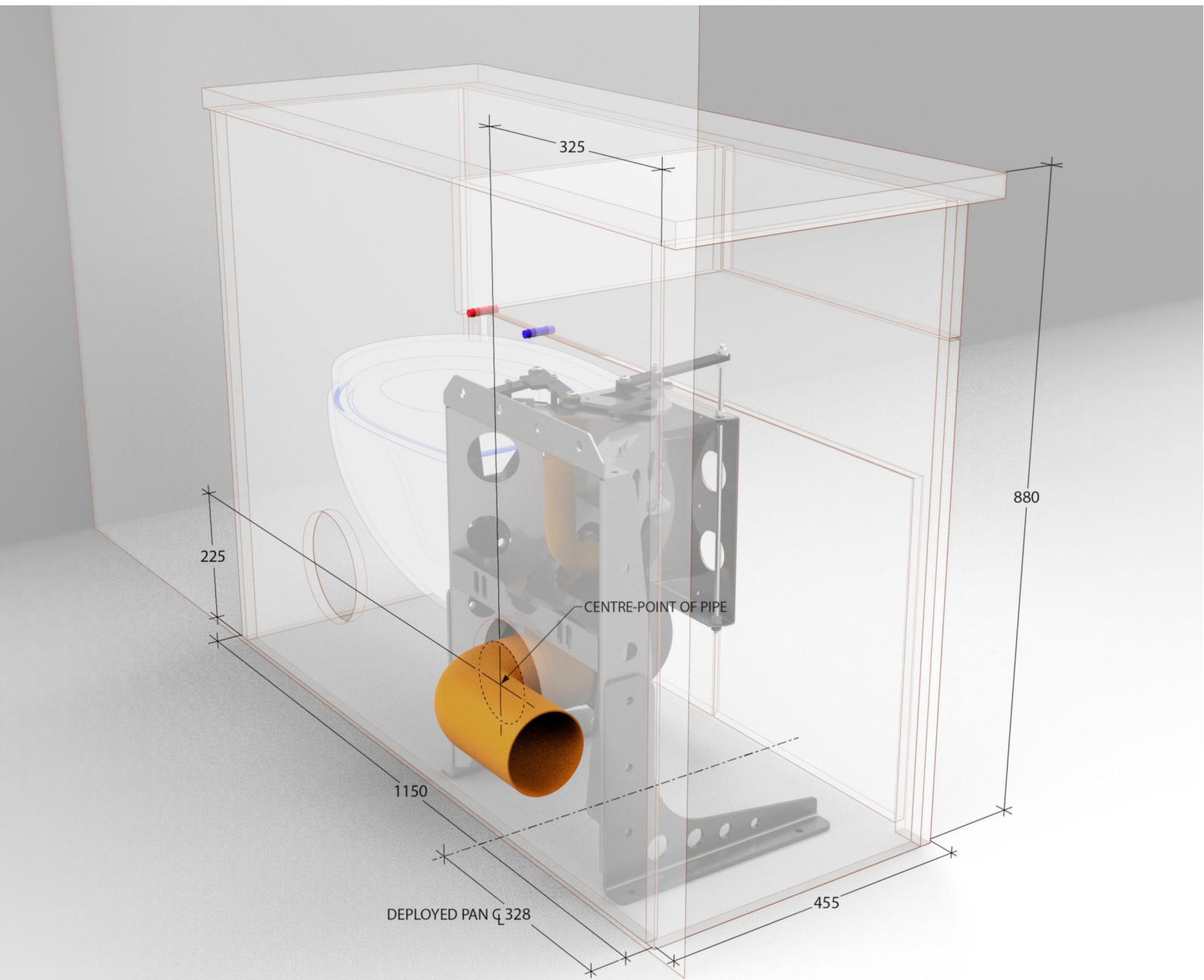


HIDEALOO CABINET DIMENSIONS AND WASTE EXITS

SIDE WASTE EXIT



REAR WASTE EXIT



FLOOR WASTE EXIT

