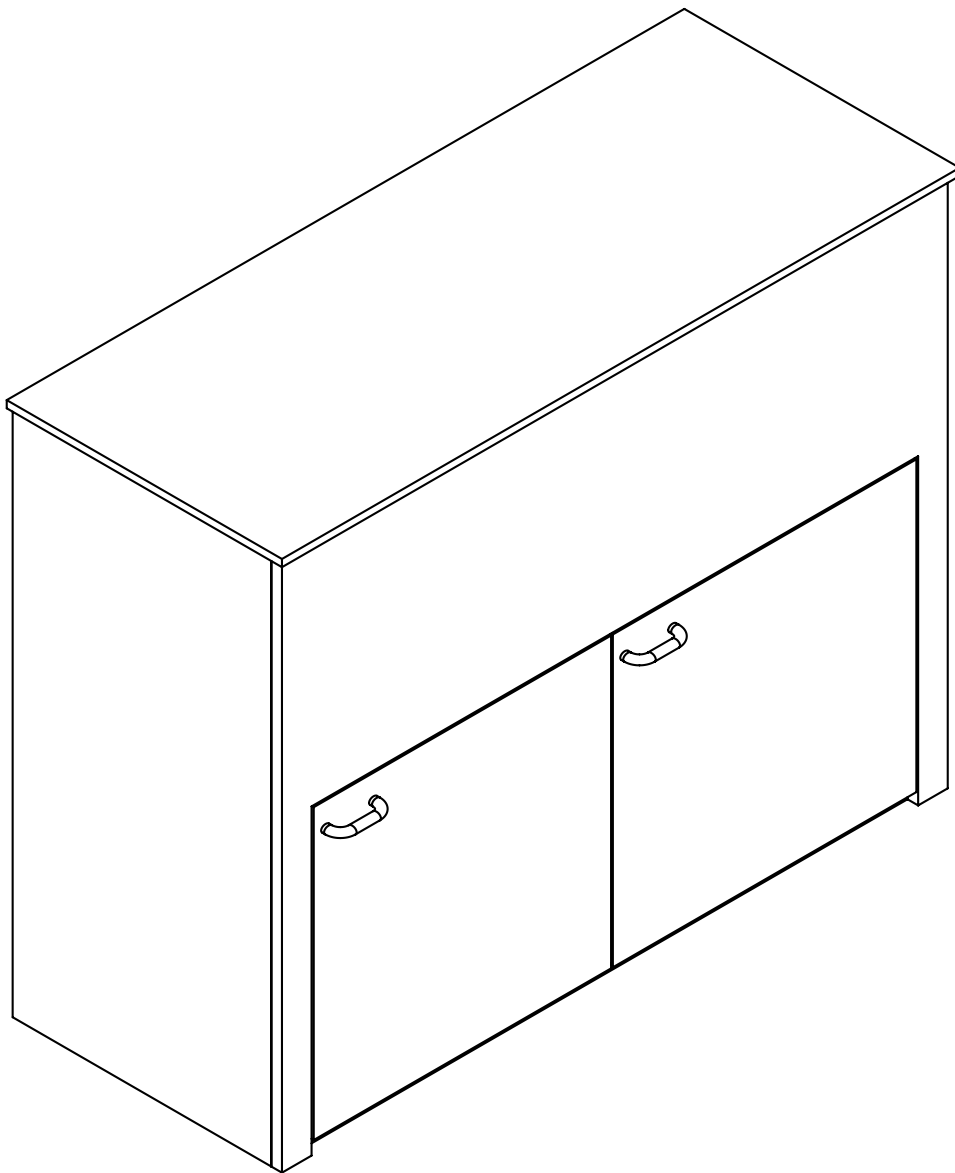


HIDEALOO

CABINET INSTALLATION MANUAL



INDEX

Pages 2-15.....Hidealoo Cabinet Installation
Pages 16-20.....Appendix Cabinet Panel Dimensions

Hidealoo PARTS

- Hidealoo Unit
- Install Template
- Plastic Pan Support Packer
- Door Extension Brace

Cabinet SELF-SOURCED PARTS

- Base panel
- Rear panel
- 2x Side panels
- Front panel
- 2x Doors
- Top panel

ADDITIONAL SELF-SOURCED PARTS

- Toilet pan and fixing studs/washers/
bushes/nuts
- Pan connector adapter pipe
- Concealed Flush Cistern - Low
height (290mm) side entry - 50mm
output pipe size and standard 44mm
pan connecting grommet
- Surrounding cabinet and doors
- 4x T25 Torx Screws
- 2x M5x12mm CSK Bolts and nuts

For masonry floor and walls

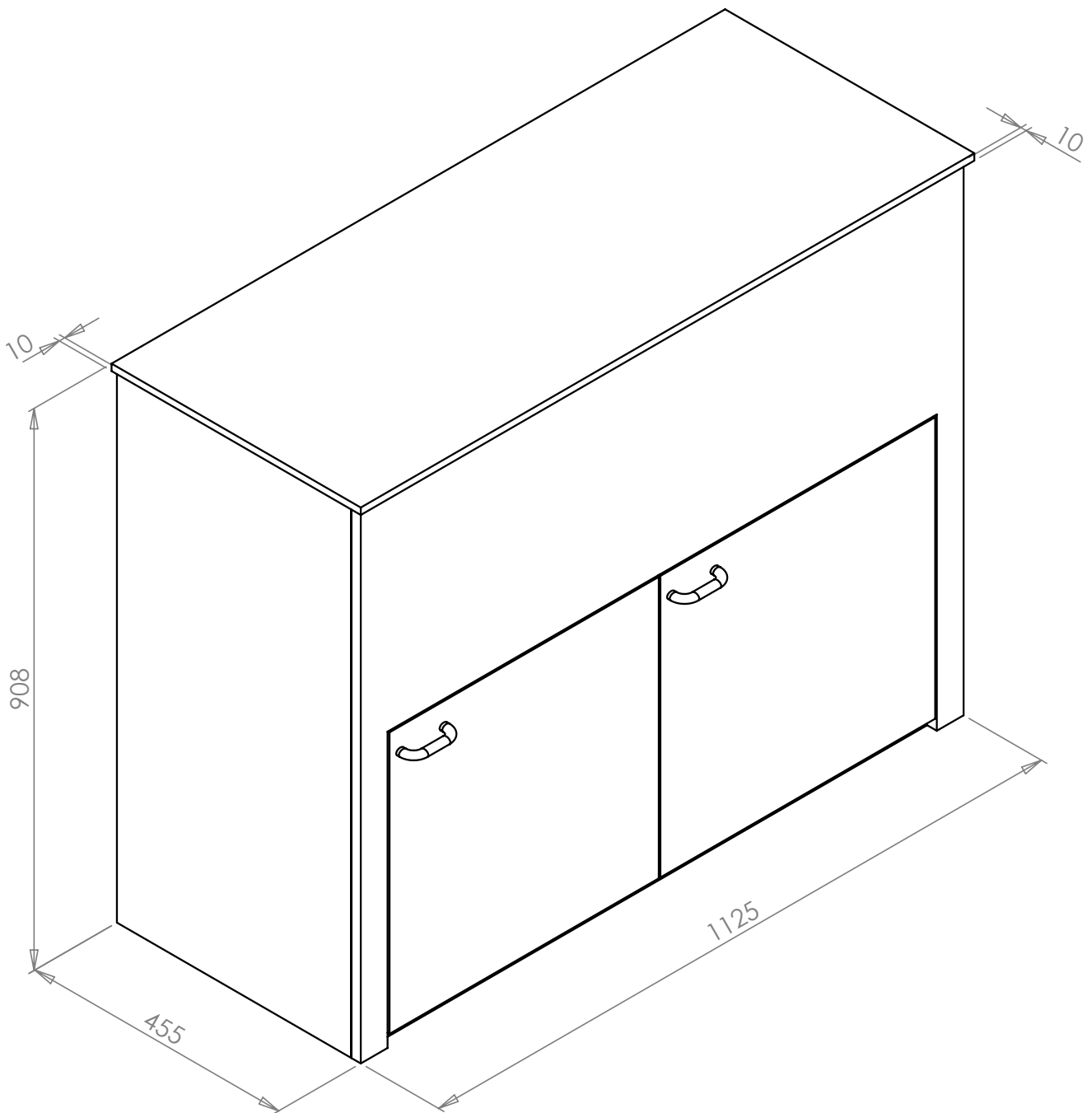
- 8x M8 resin fixing anchors and penny
washers

For timber floor and walls

- 8x 6mmx60mm coach screws and
penny washers

TOOLS FOR INSTALLATION

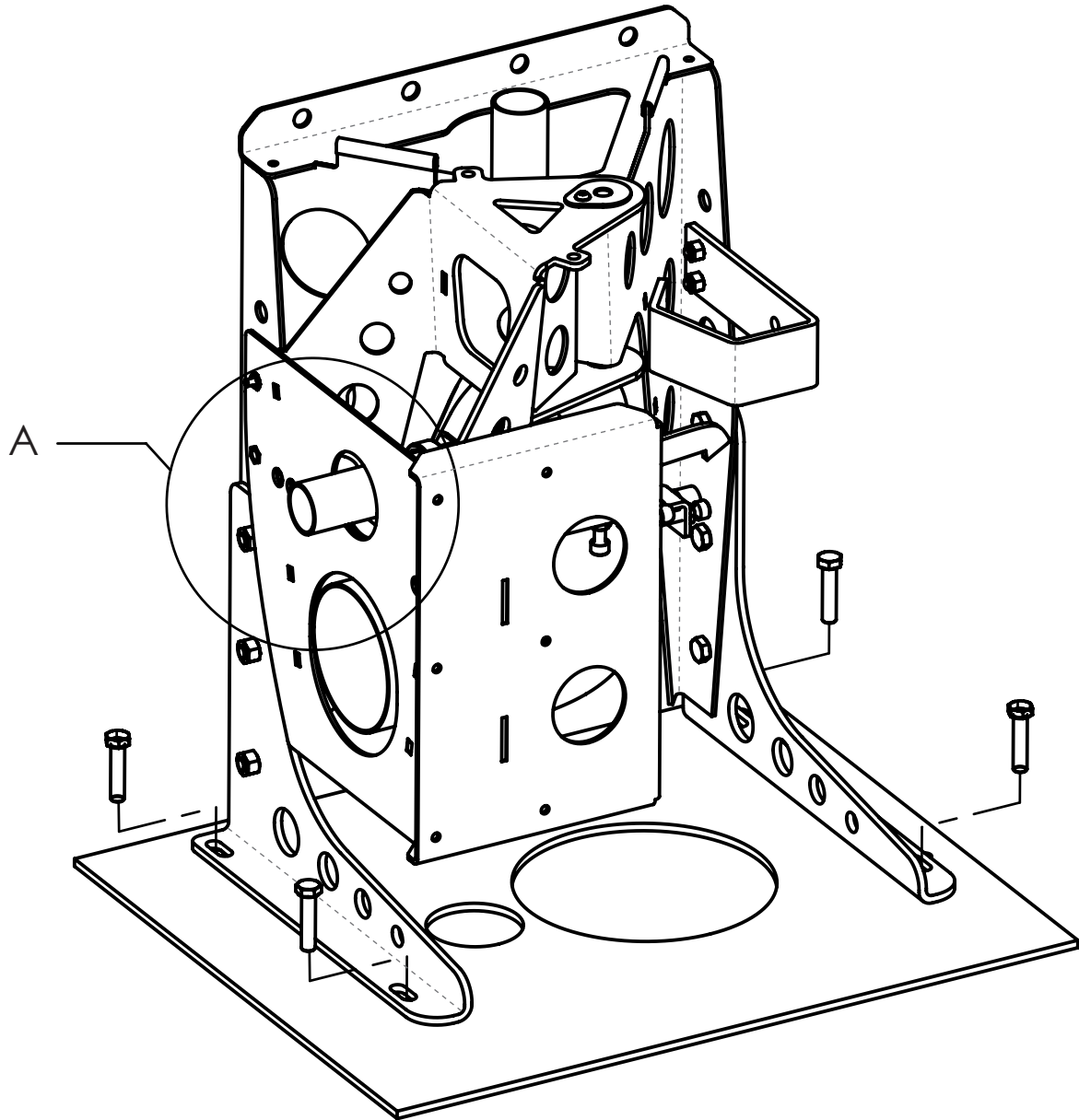
- Masonry Drill and bits
- Socket set with 17 & 19mm sizes
- Spanners, to include 17 & 19mm sizes
- Adjustable spanner
- Flat & 'cross head' screwdrivers
- Hacksaw
- Measuring tape
- Pencil/pens
- Silicone grease (vaseline will suffice)
- 2x Sash clamps
- T25 Torx Bit
- Ratchet Spanner to fit torx bits from
the side



This manual outlines the minimum dimension requirements of a cabinet to house a Hidealoo and how it could be designed and constructed. Each installation will have its own unique requirements and this manual is intended to be a *guide only* - showing tips as to how you may build your own version.

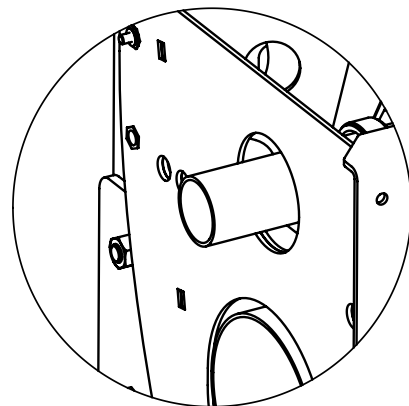
Please see the Appendix of this document for a suggested cut-list of panels.

This manual will need to be used in conjunction with the Hidealoo Installation Manual.



This Template board has been designed to make the installation as easy as possible. It is marked up to show you where to fix Hidealoo to the floor and wall.

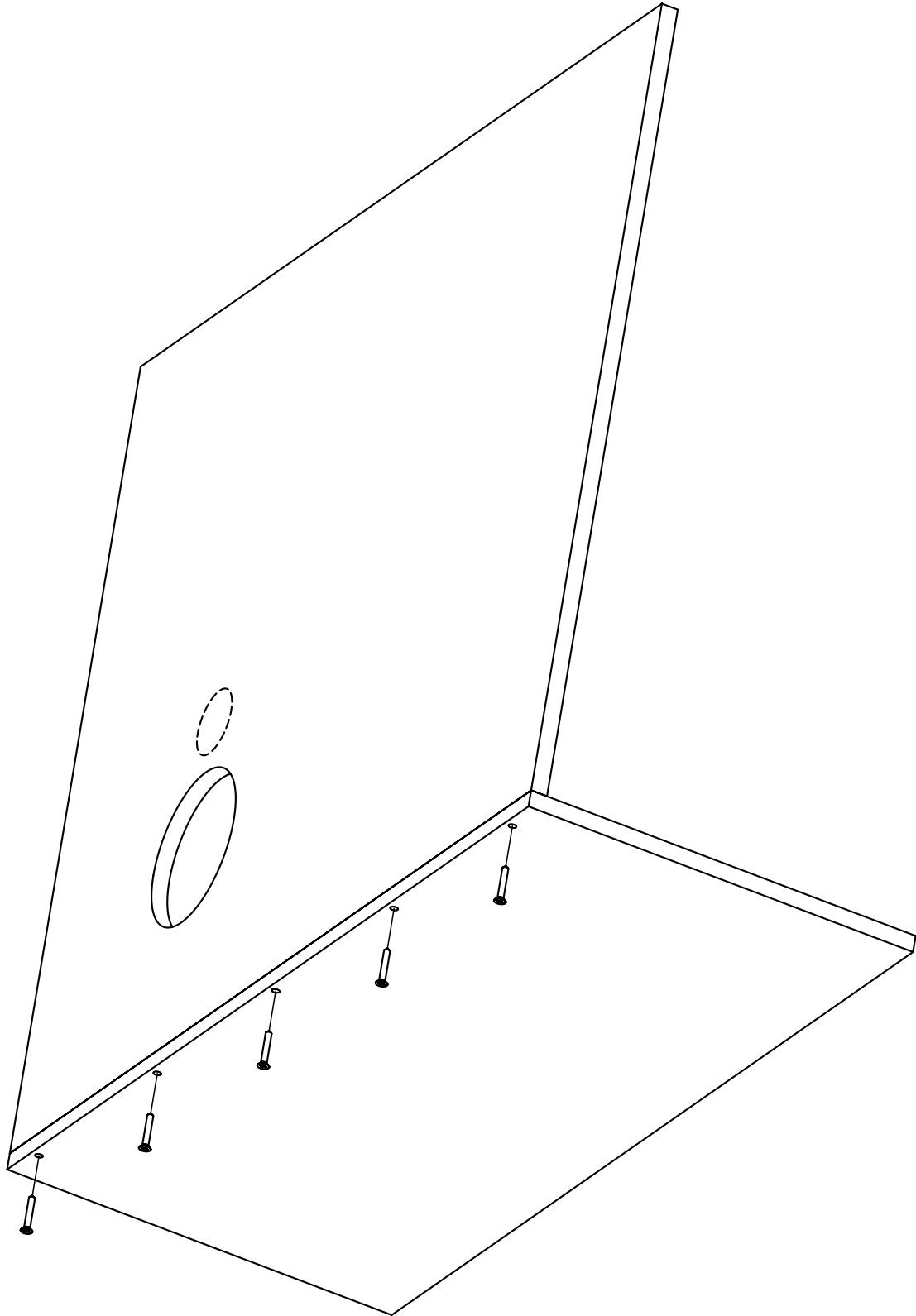
Unbolt the 4x feet anchor bolts and remove the template board from the feet.



DETAIL A

Check the flush pipe protrudes by an amount to match your pan socket (approx 60mm), adjust with the pipe clamp slackened if required.

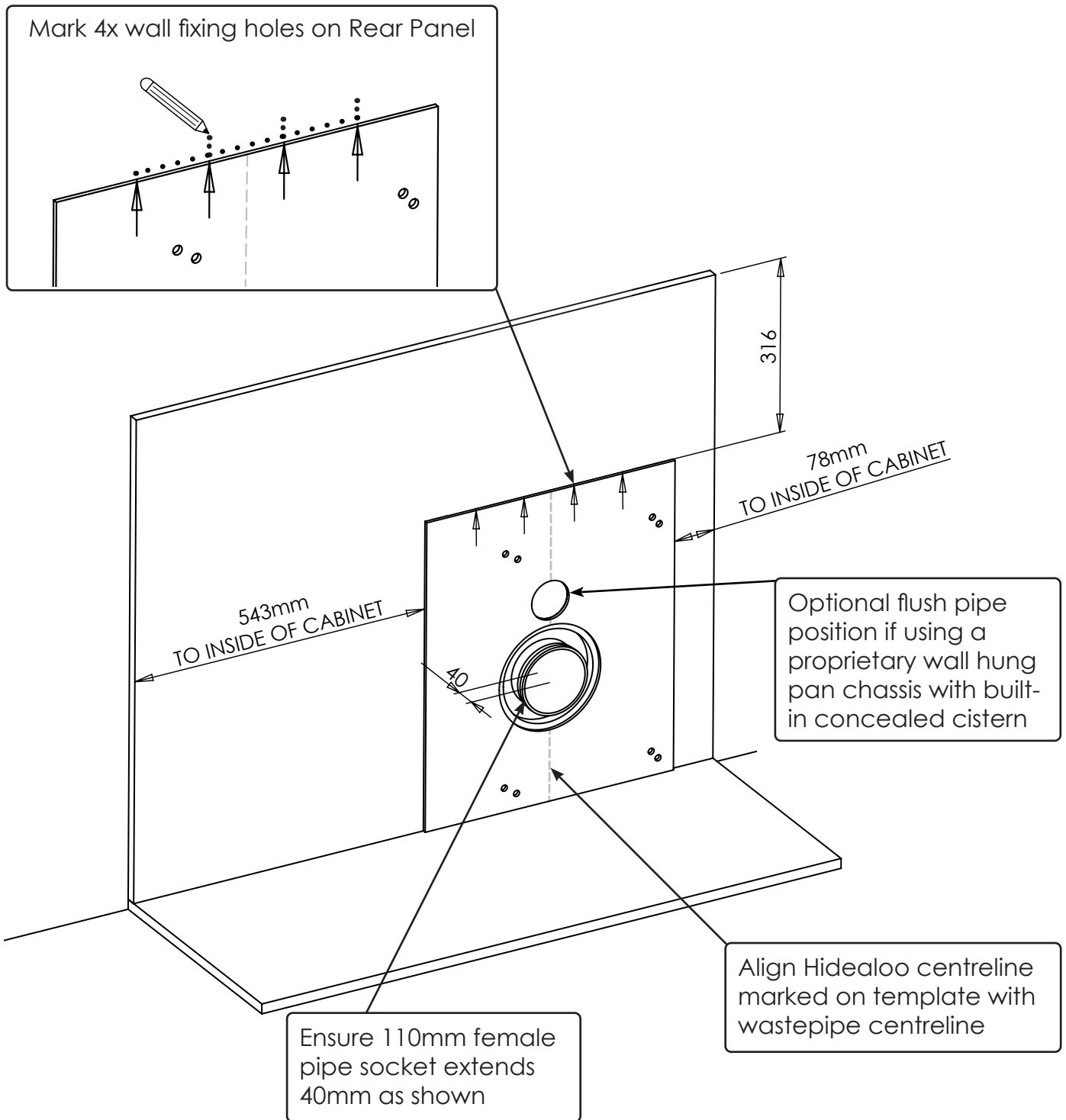
4 REAR & BASE PANEL FIXING



Fasten the Base Panel to the Rear Panel with 5x screws through the bottom

Screws	x5
Rear Panel	x1
Base Panel	x1

5 WALL TEMPLATE

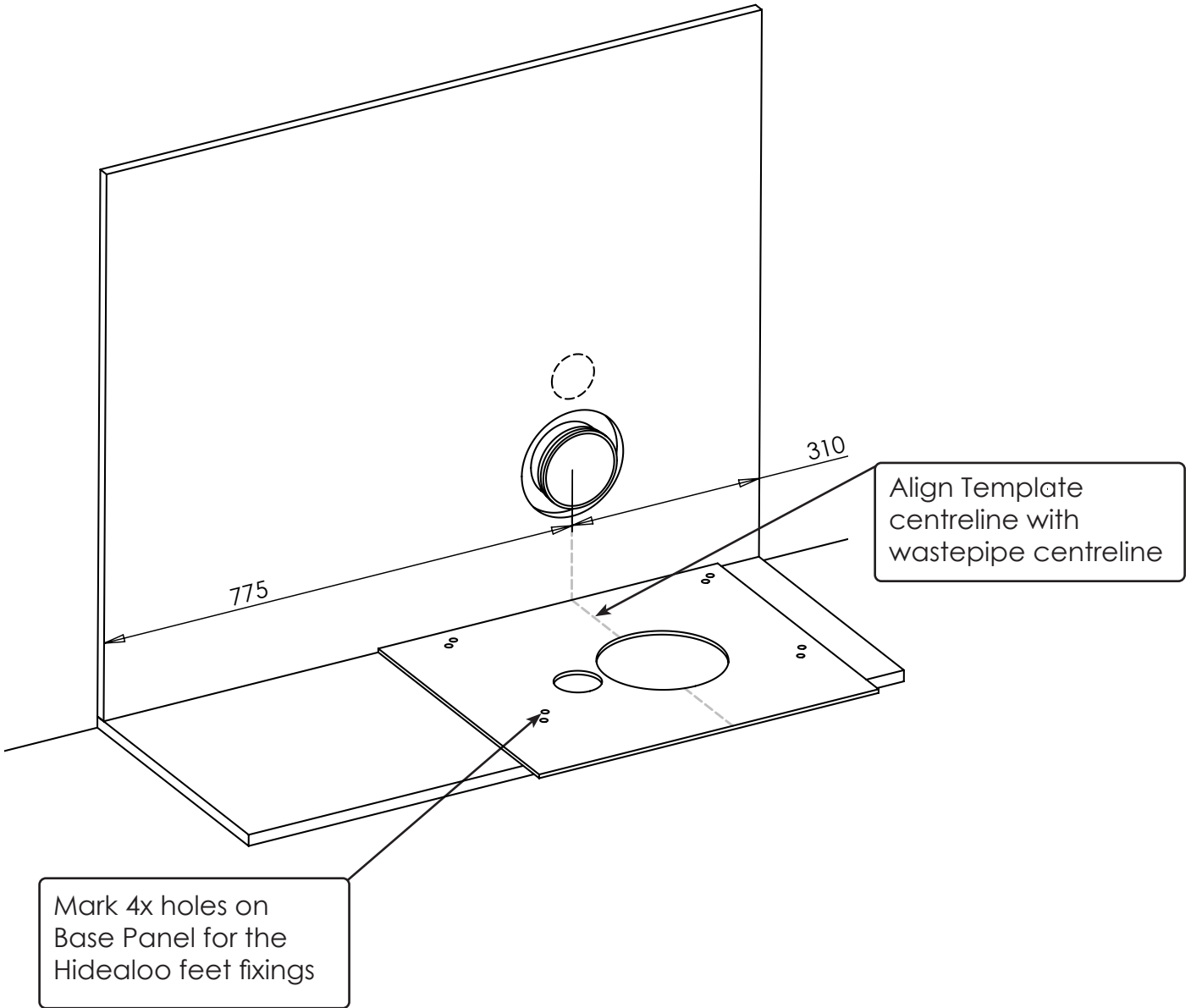


Offer up the Template to the wall you're installing the cabinet to. Ensure the Base Panel is placed underneath the template to achieve the correct height.

Mark on the Rear panel the 4x holes to drill out for fixing the Hidealoo. These holes will need to extend beyond the cabinet into the wall behind

Also confirm the waste/flush pipe lengths and confirm adequate room space around the template for the cabinet as per the suggested dimensions on the template.

Rear Panel	x1
Base Panel	x1
Install Template	x1

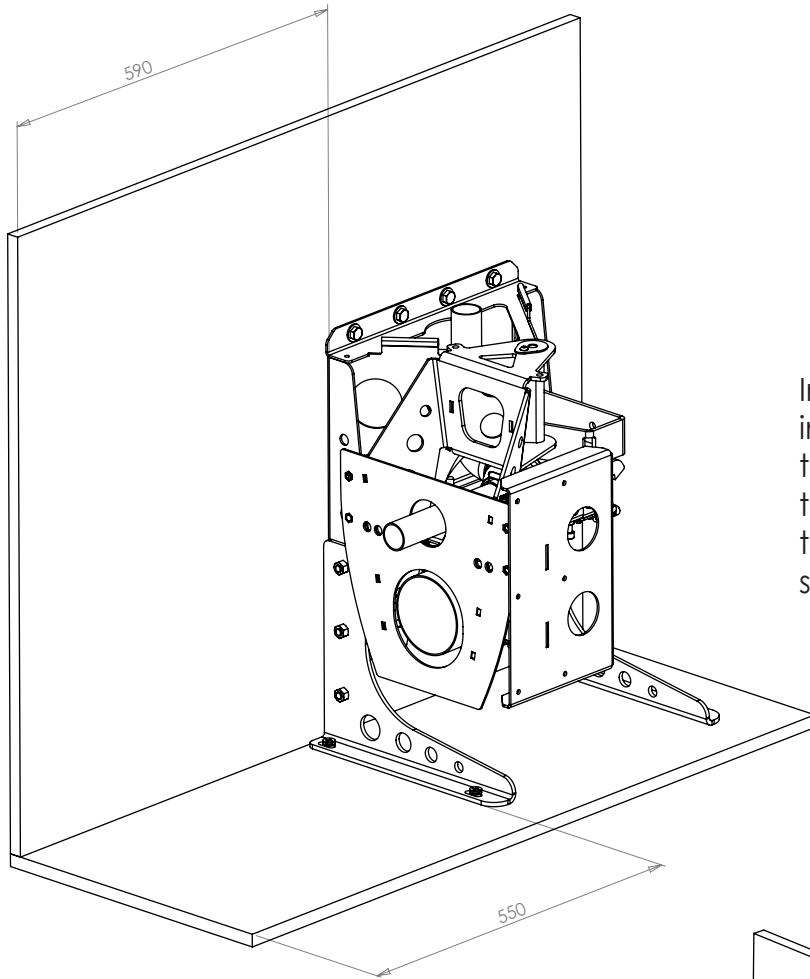


Using the template in the horizontal orientation, mark on the Base Panel the 4x holes to drill out for fixing in the Hidealoo. These holes will be used to fix the Hidealoo and the Cabinet into the floor.

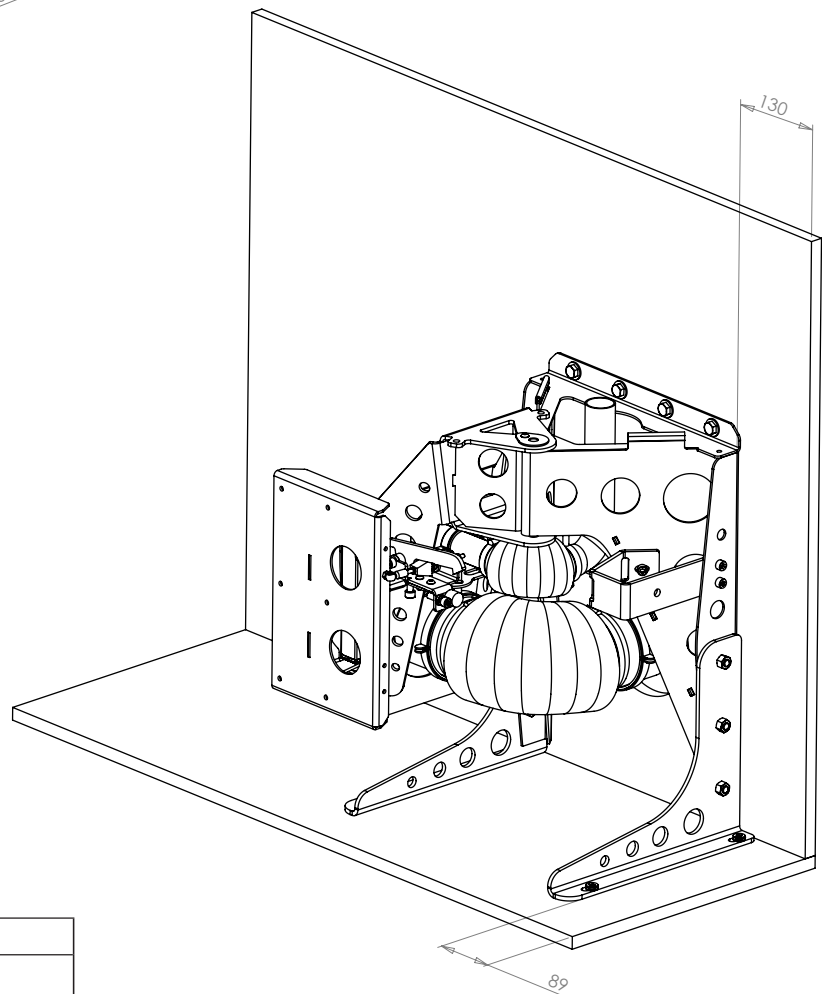
Ensure not to use the holes marked "Transit Hole Only"

Rear Panel	x1
Base Panel	x1
Install Template	x1

7 Hidealoo UNIT

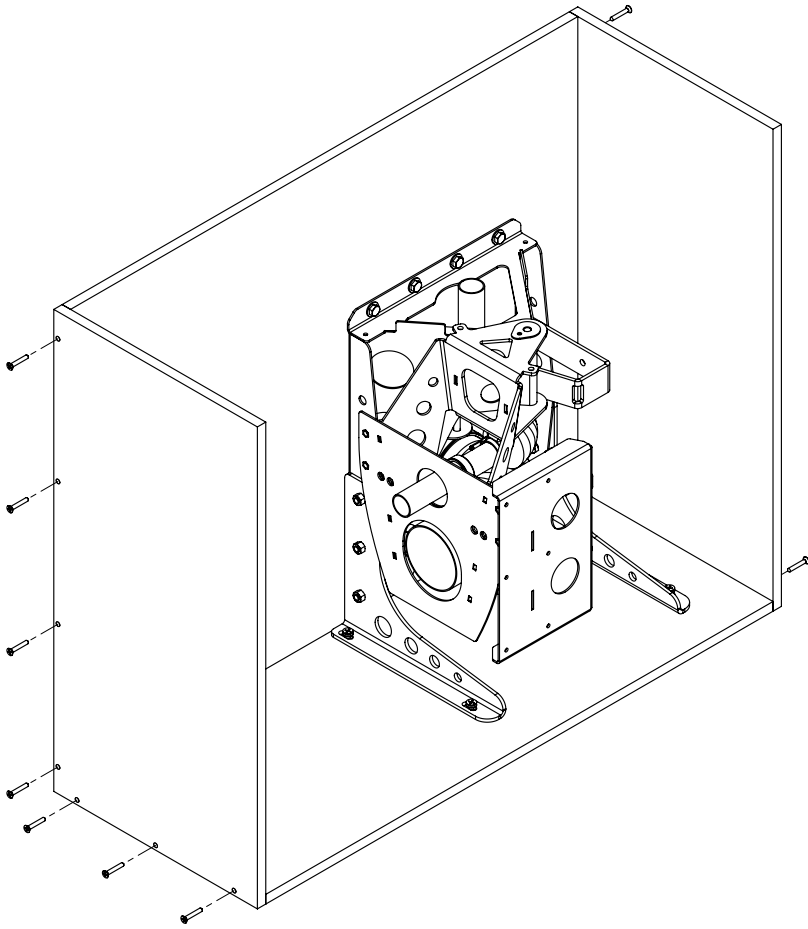


Install the Hidealoo as per instructions in the Hidealoo Install Manual, ensuring to position the Hidealoo unit to align the 110mm waste pipe and match the dimensions shown (if using the suggested cabinetry).

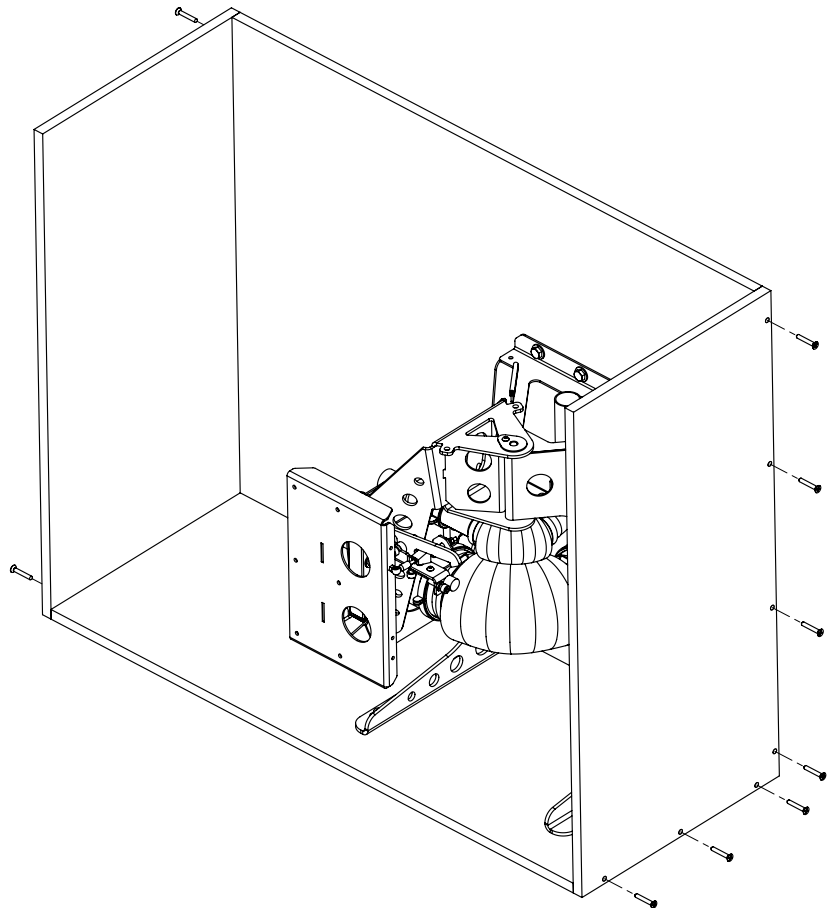


Hidealoo Unit	x1
Hidealoo Installation Manual	x1
Washers	x4

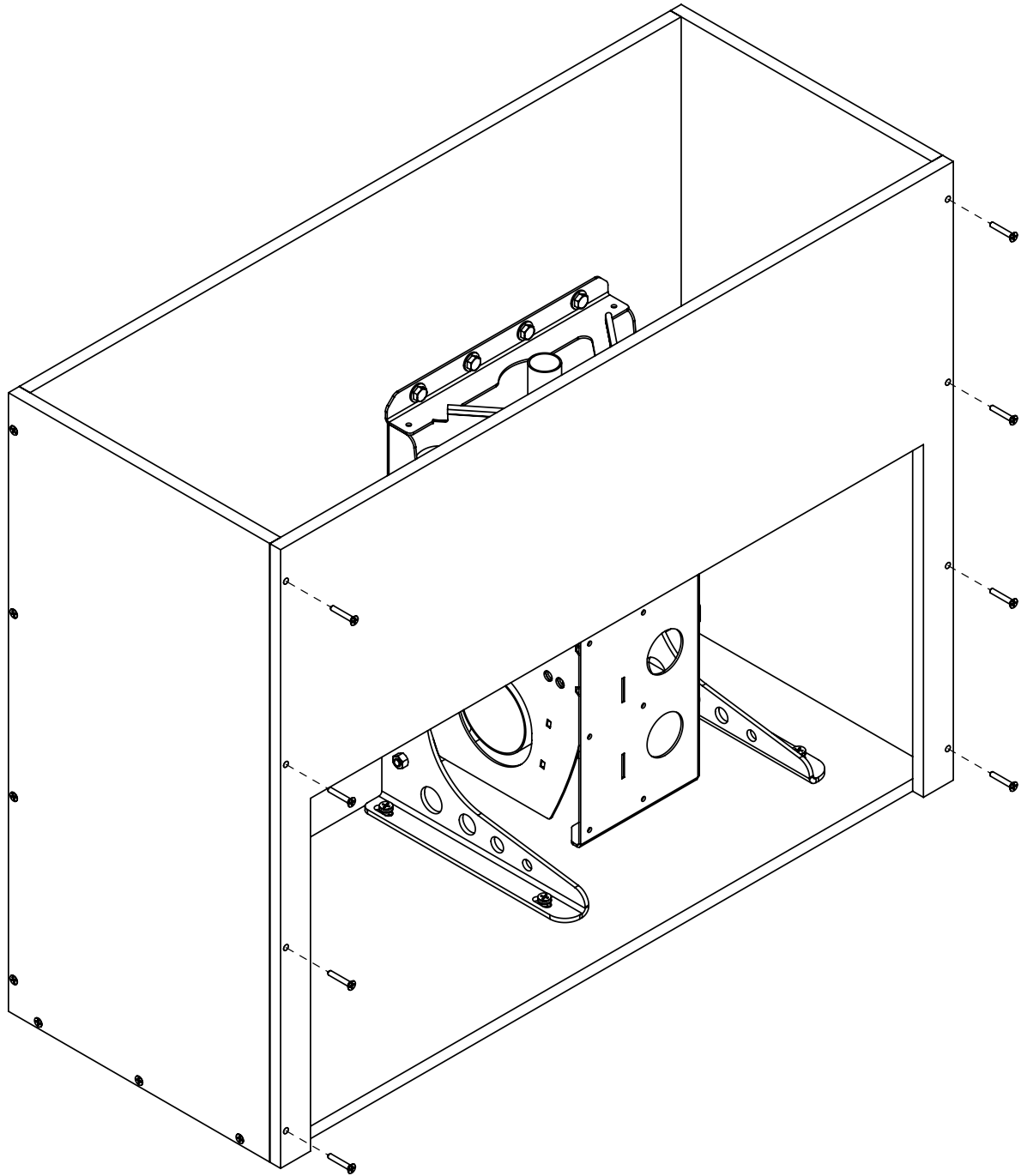
8 SIDE PANELS



Install the 2x Side Panels. Glue and screw the joints up the back edge and across the bottom.



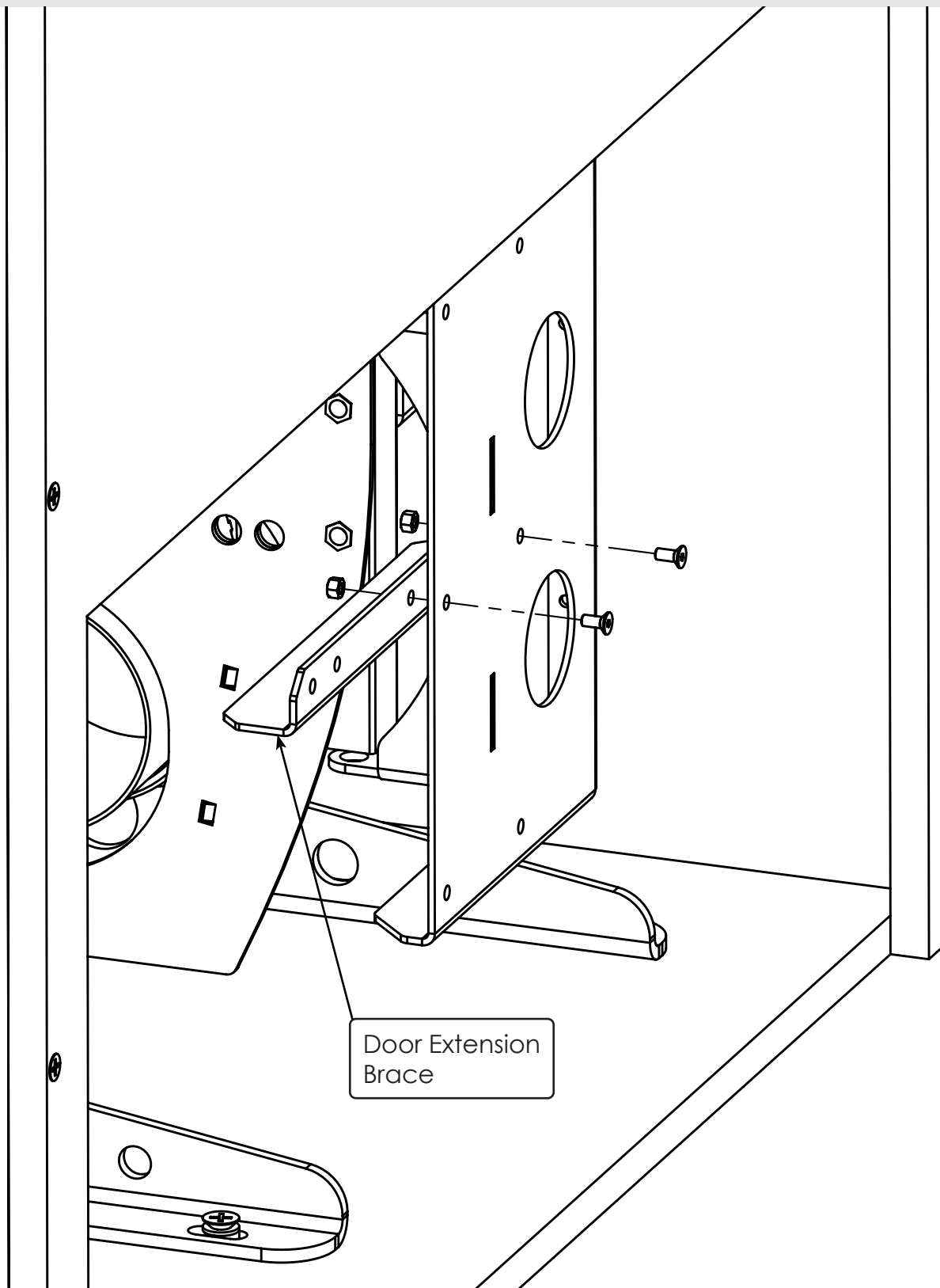
Side Panel	x2
Screws	x14



Install the Front Panel by glueing and screwing into the Side Panels

Front Panel	x1
Screws	x8

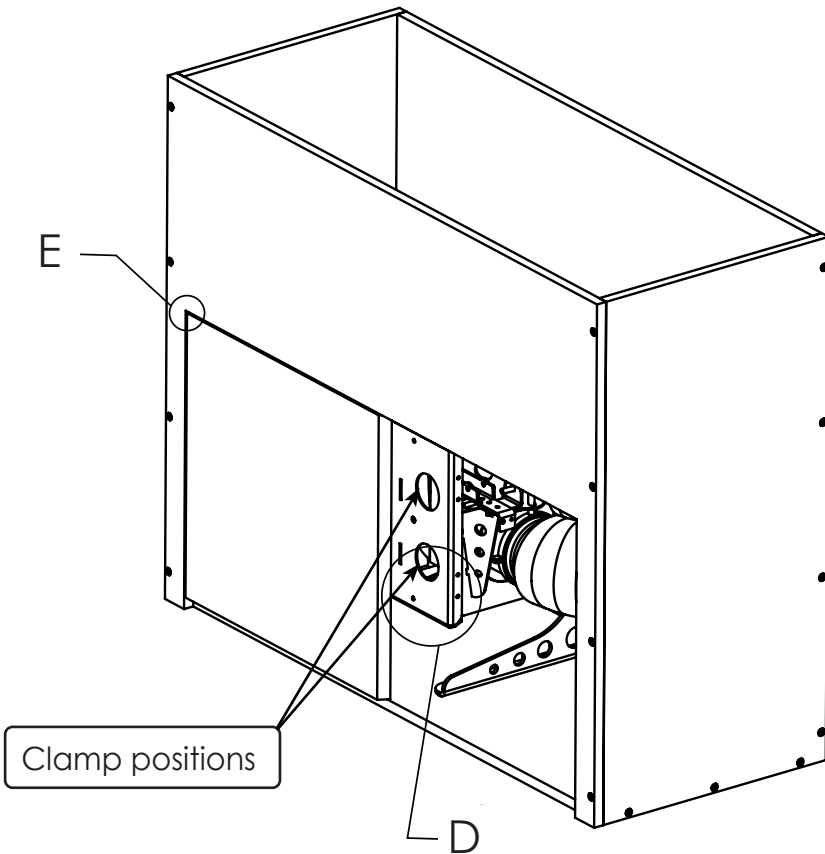
10 DOOR EXTENSION BRACE



The Door Extension Brace will need to be fixed to the Door Mount Bracket, using the 2x M5 CSK Bolts and 2x M5 nuts.

Ensure the bolts are installed from the outside and the nuts are on the inside of the door.

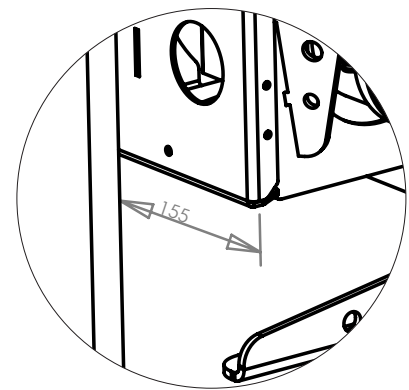
Door Extension Brace	x1
M5x12mm CSK Bolts	x2
M5 Nuts	x2



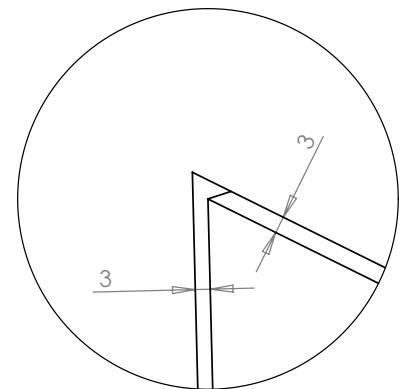
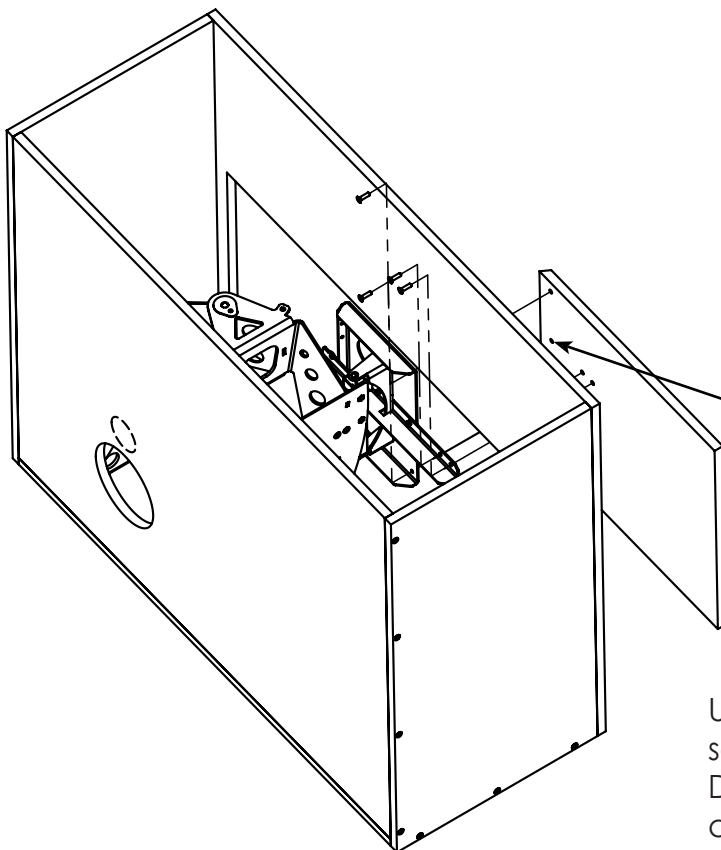
With Hidealoo in the closed position, position the Door against the metal Door Mount Plate on the side of the Hidealoo as shown.

Align door edges with Front Panel cut-out and space 3mm.

Clamp in place with 2x sash clamps and mark hole positions on back of door.



DETAIL D



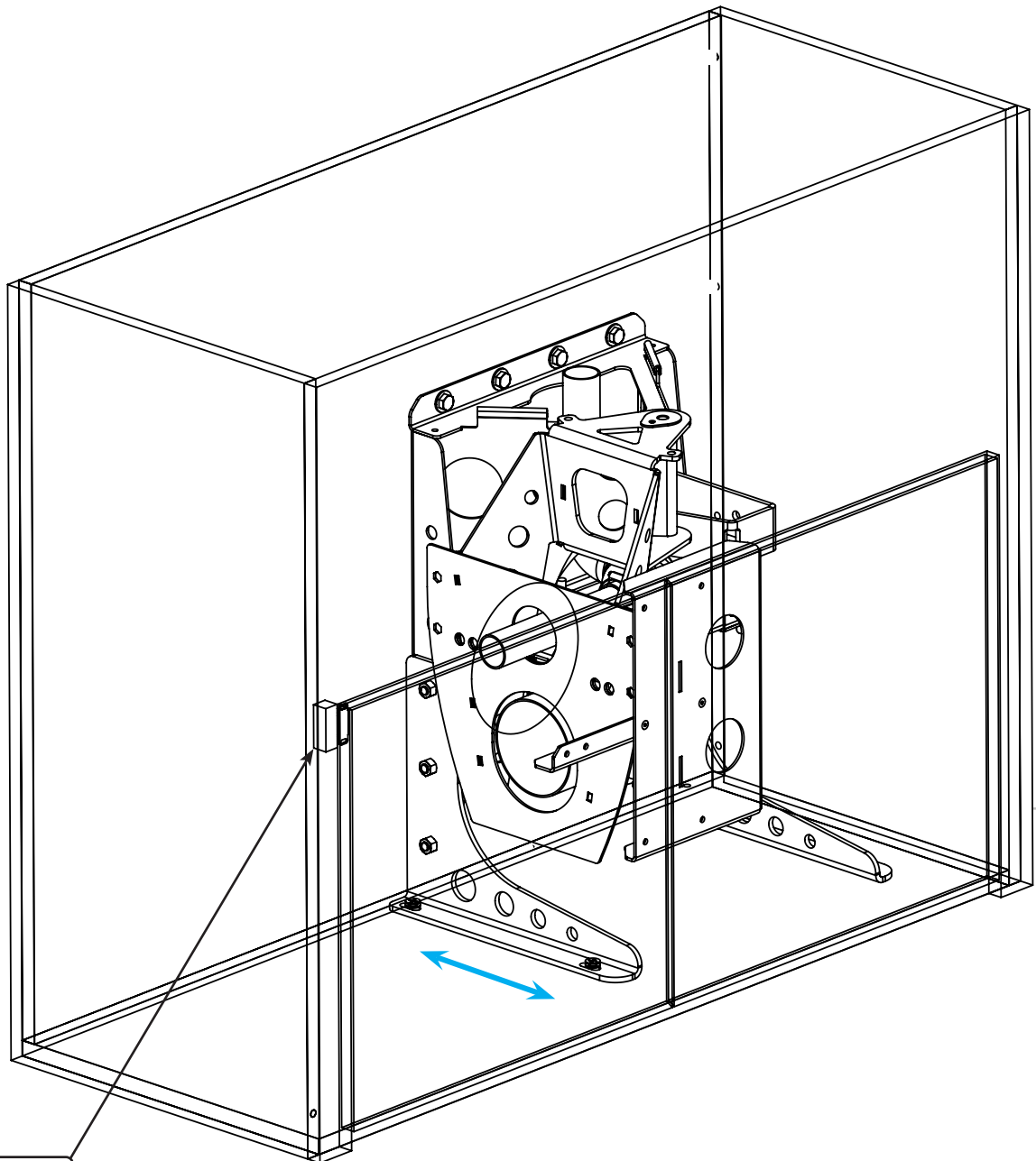
DETAIL E

Remove door and drill out marked positions with 3mm drill at max. 10mm deep on rear face

Using a ratchet spanner and T25 Torx bit, secure door to the Door Mount Plate and Door Extension Brace with 4x T25 Torx countersunk screws through the rear of the Door Mount Plate.

Door	x1
T25 Torx countersunk screws	x4

User-sourced	
Sash clamps	x2



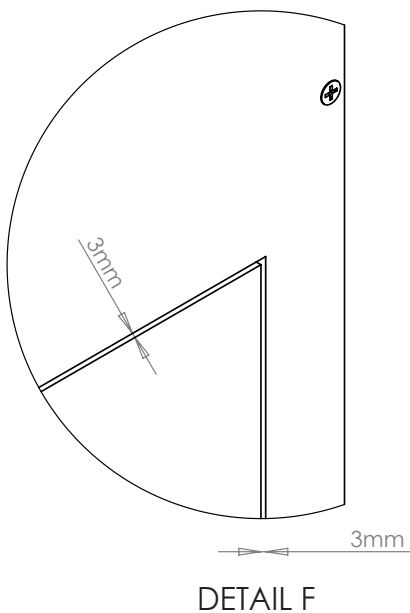
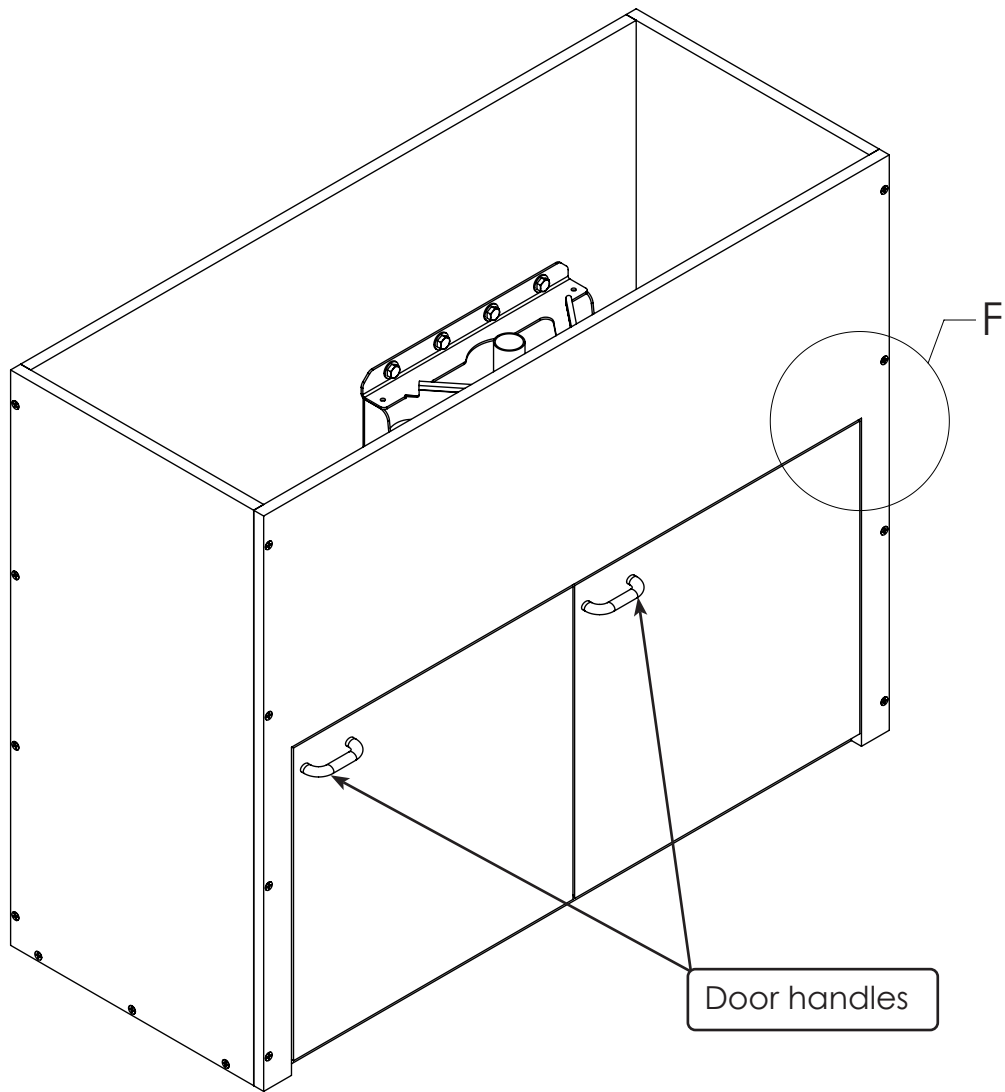
Mag-catch

If the door is not flush with the front of the cabinet, the Hidealoo unit can be moved forward or backward to fit flush.

Loosen the 8x securing screws holding main chassis in place and slide the Hidealoo unit outwards until the door is in the position you require. Insert shims behind the top chassis securing screws to the backplate/wall and tighten securely. Finally tighten Base Panel screws.

Add a small mag-catch to the top outer end of the main closing door to hold the door flush when shut.

13 SECOND DOOR



Install the second Door. This can be with any kind of soft-close hinge you prefer that allows the door to open approx. 100°.

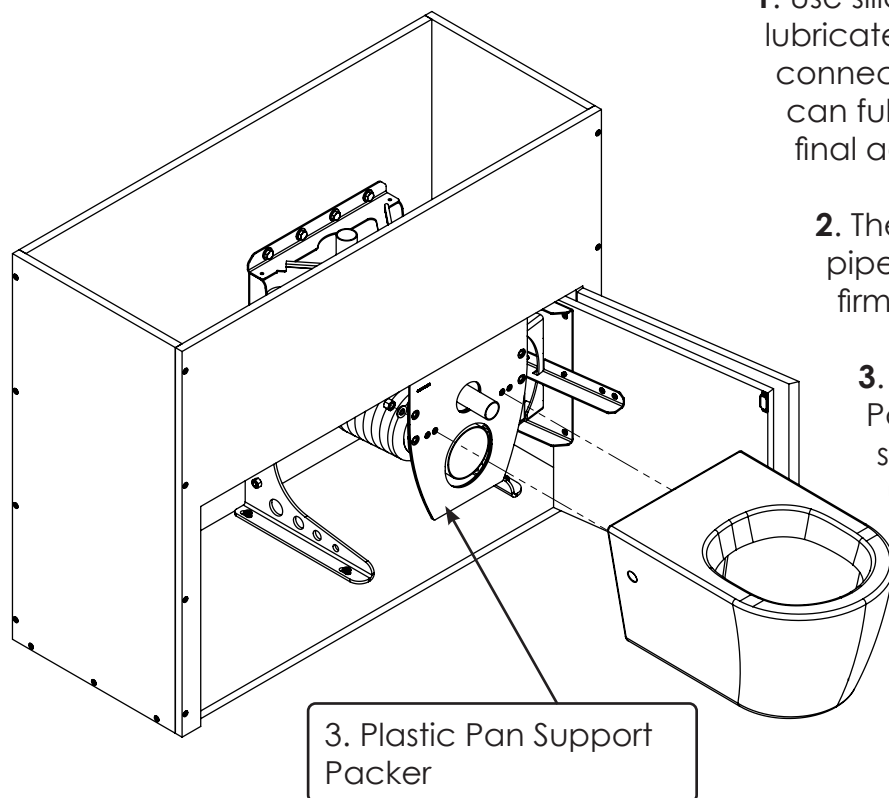
Alternatively a c-sunk magnet can be set into the back of the door to hold it shut against the Hidealoo door support plate.

Door handles will also need to be installed on both doors.

Door	x1
------	----

User-sourced	
Door hinge	x1
Door handles	x2

14 TOILET PAN



1. Use silicone grease (or similar) to lubricate all the flush and waste pipe connections to make sure all lip seals can fully settle in, and be removed for final adjustments if needs.

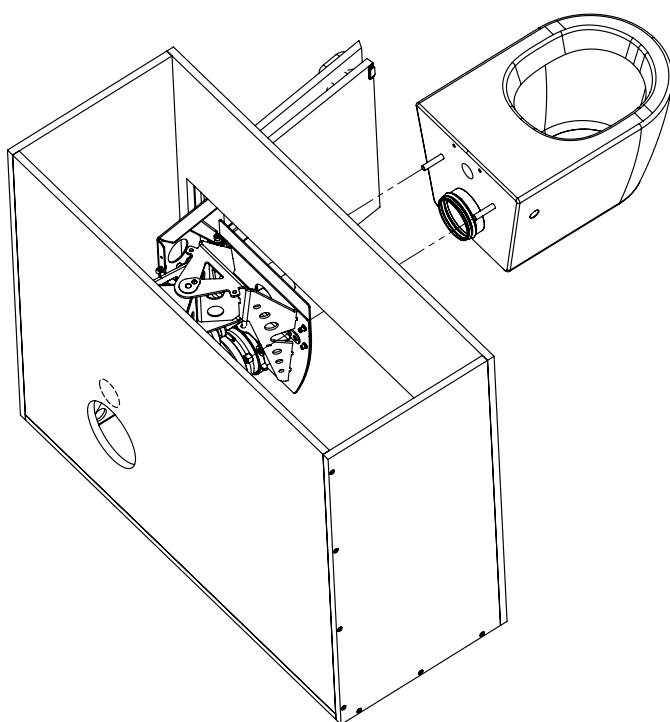
2. Then push on the pan connector pipe (bought with your pan) to seat firmly on the ceramic output.

3. Place the Plastic Pan Support Packer on the Hidealoo frame as shown. Hold in place with tape until pan installed.

4. Push the flush pipe seal onto the protruding 44mm pipe and lubricate outside.

5. Place pan on suitable spacers on the floor so you can easily slide it into connection with the pan connector going into the 110mm waste pipe, and the 44mm flush pipe and seal going into the flush water socket.

6. Insert the pan connecting bolts/studs (bought with pan) into place with washers and ensure the load spreading bushes are on the ceramic side.

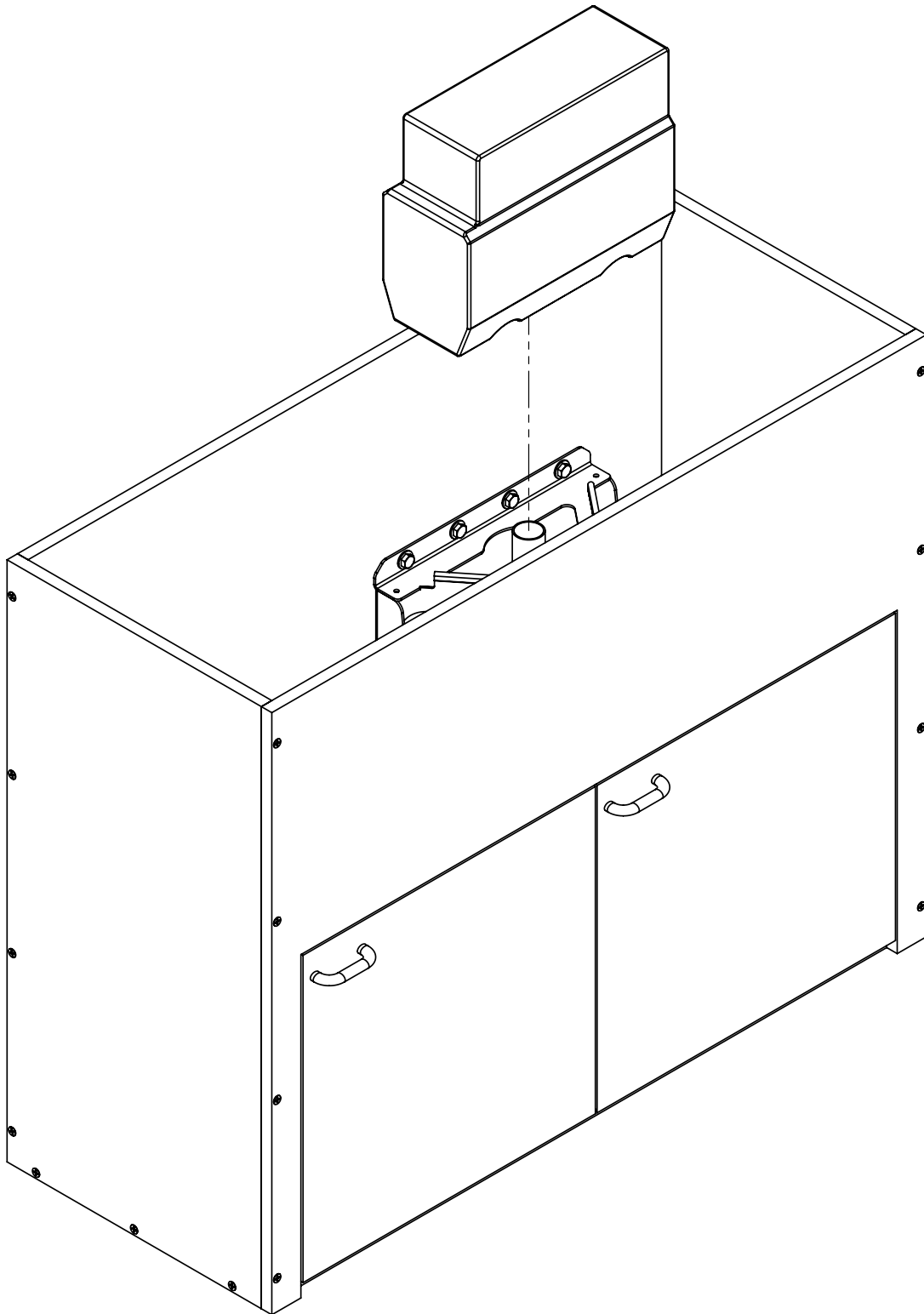


Ensure pan nuts are at least 15mm threaded onto the studs for maximum strength.

Over tightening may damage the pan. Check fitting instructions supplied with your pan.

Plastic Pan Support Packer	x1
----------------------------	----

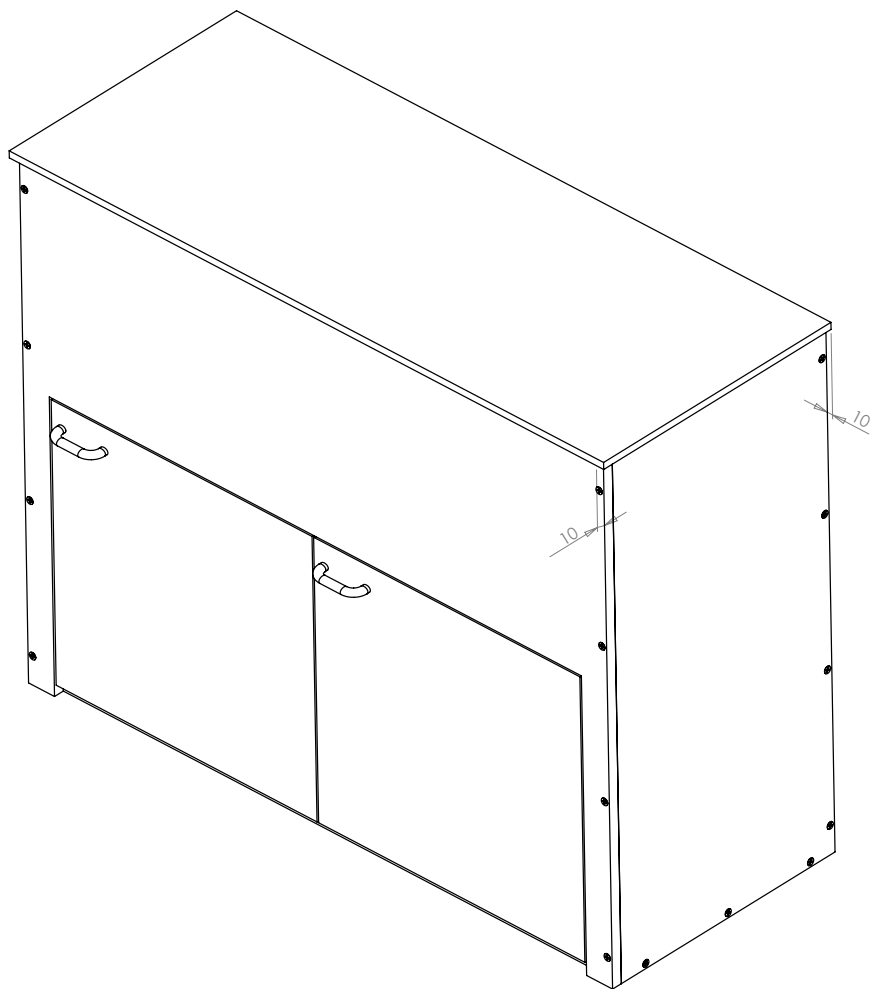
User-sourced	
Toilet Pan	x1
Pan mounting Studs	x2
Pan connector	x1
Flush pipe seal connector	x1
Washers	x2
Nuts	x2
Load Spreading Bushes	x2
Silicone Grease	x1



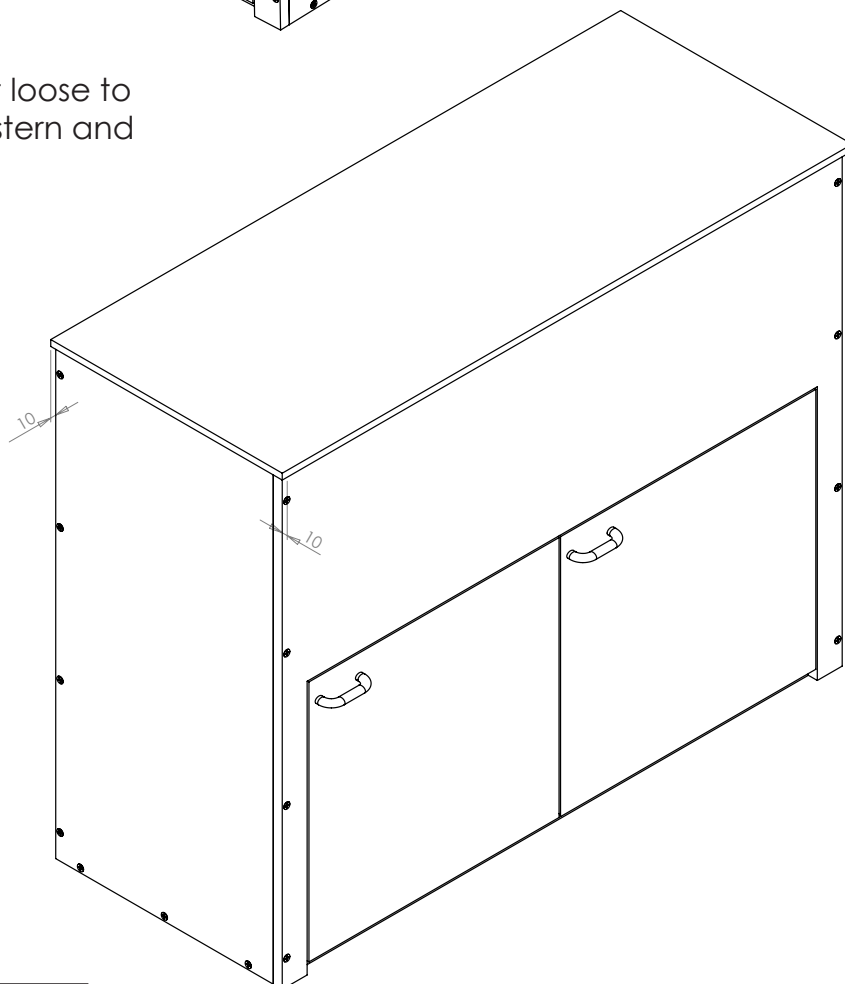
Install the cistern following the process detailed in the Hidealoo Installation Manual.

User-sourced	
Hidealoo Installation Manual	x1
Side input cistern - 2" output pipe size	x1
Silicone Grease	x1

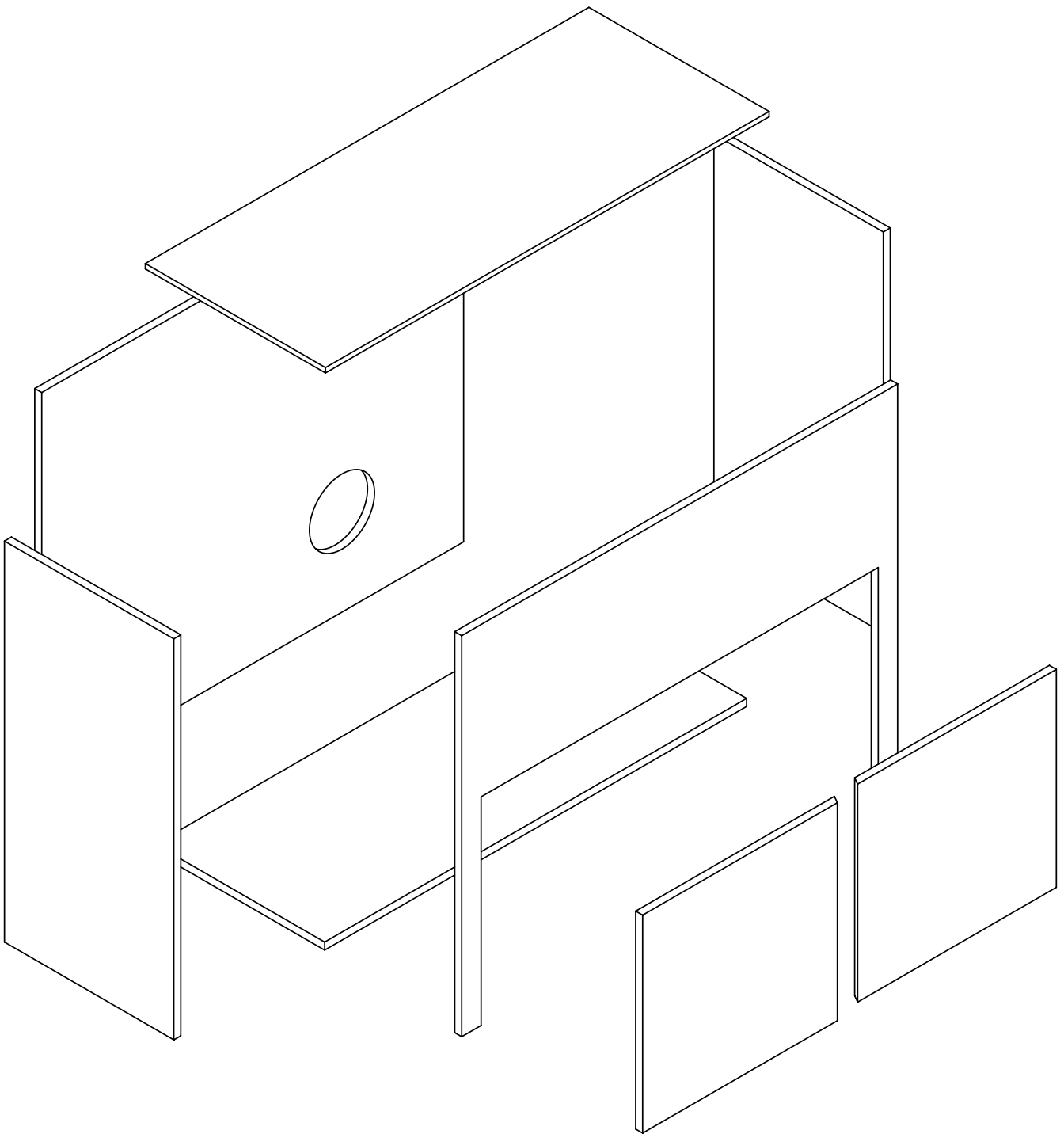
16 TOP PANEL



Fit Top Panel which can be left loose to allow easy access to check cistern and maintain Hidealoo.

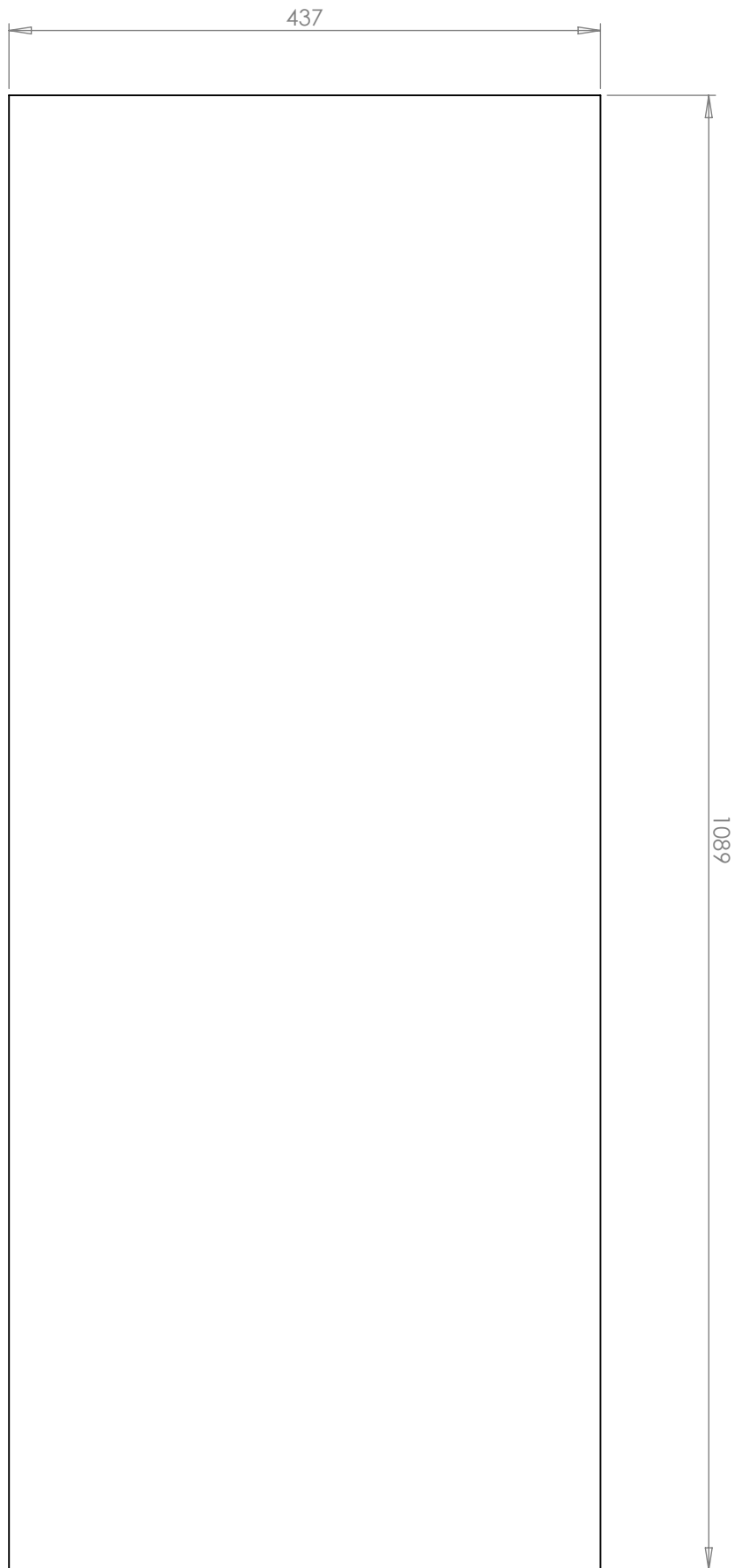


Top Panel	x1
-----------	----



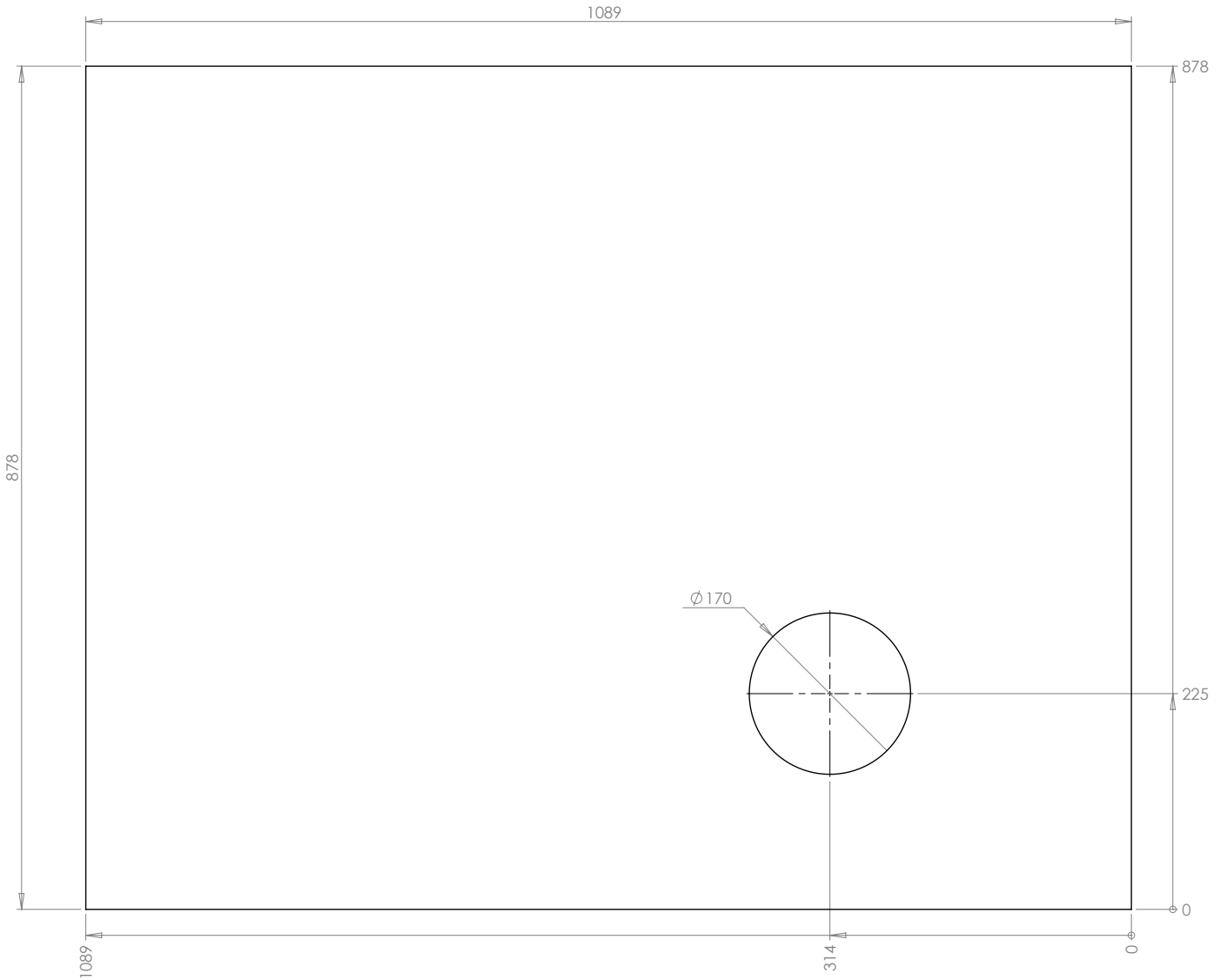
This section details the recommended panel dimensions to build a Hidealoo cabinet

18 BASE PANEL



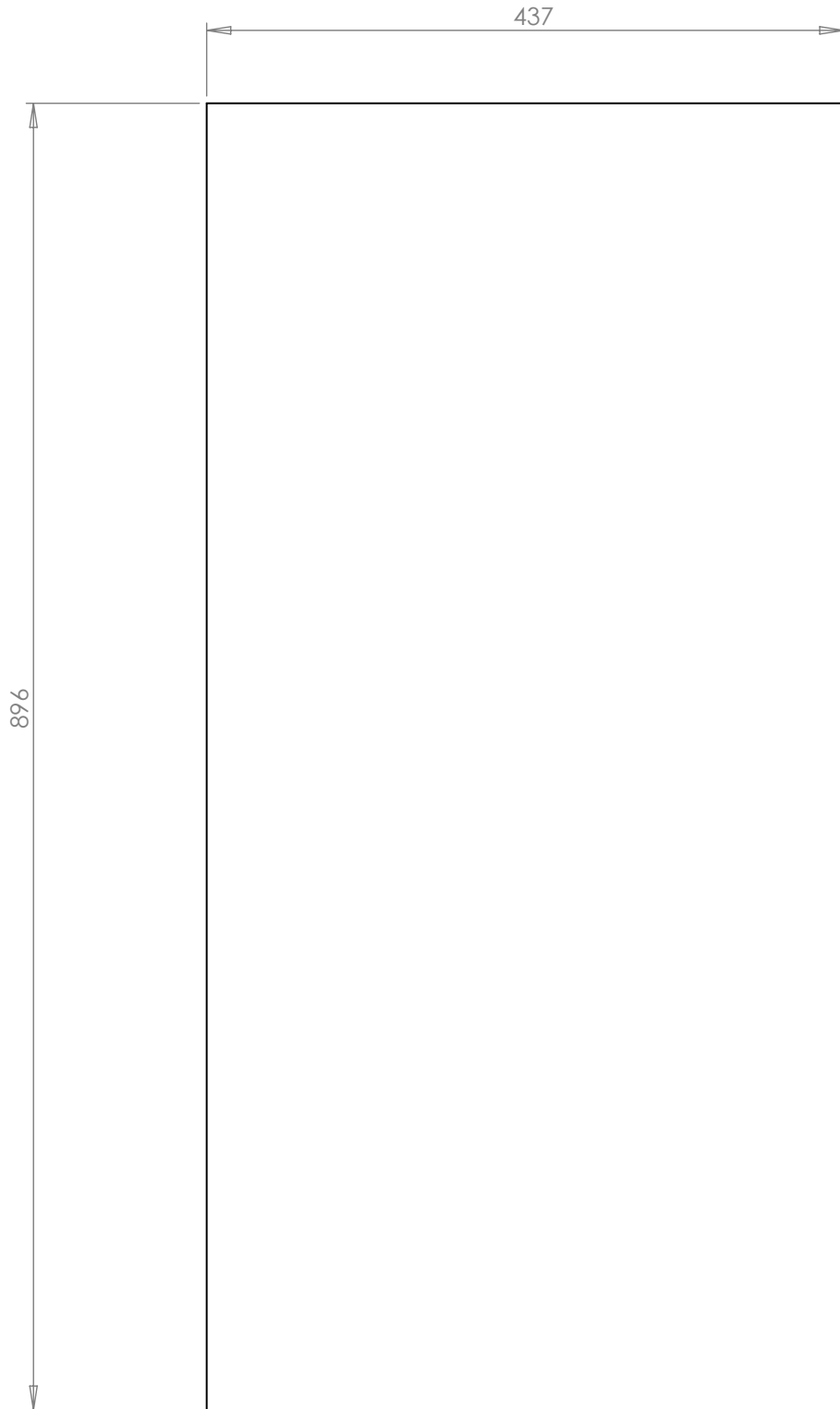
MATERIAL	QTY
18mm thick board	x1

19 REAR PANEL



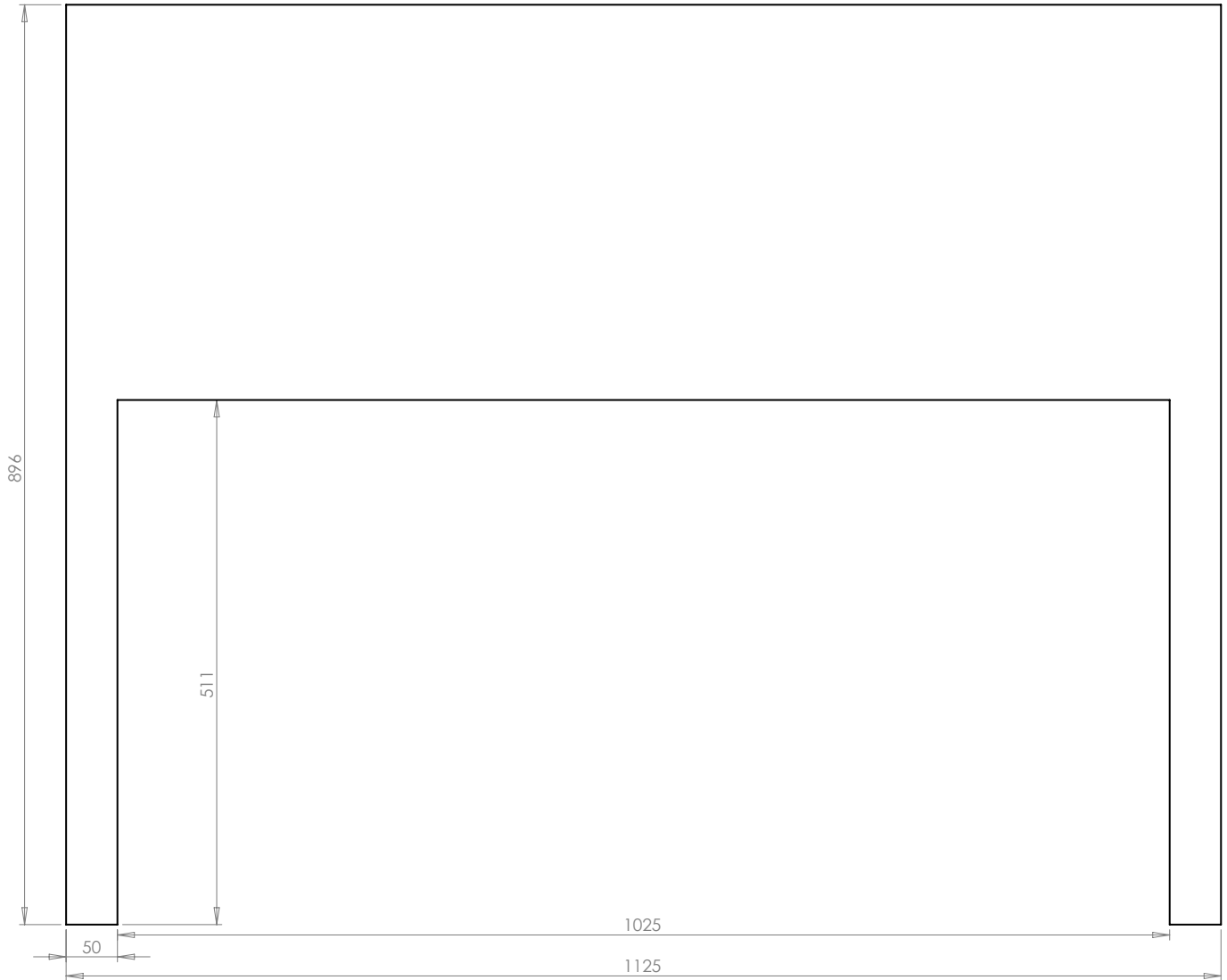
MATERIAL	QTY
18mm thick board	x1

20 SIDE PANEL

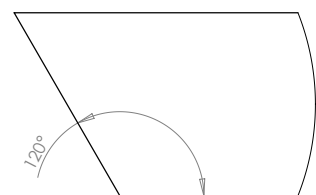
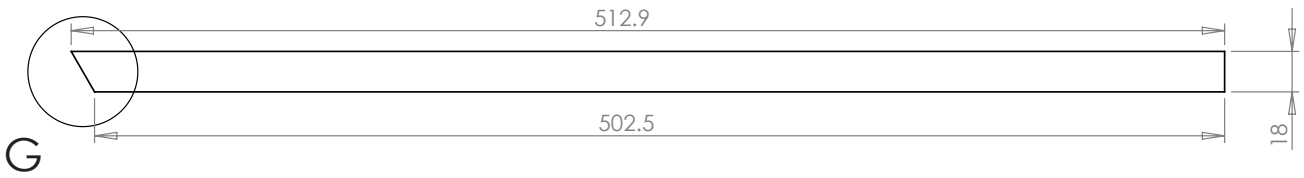
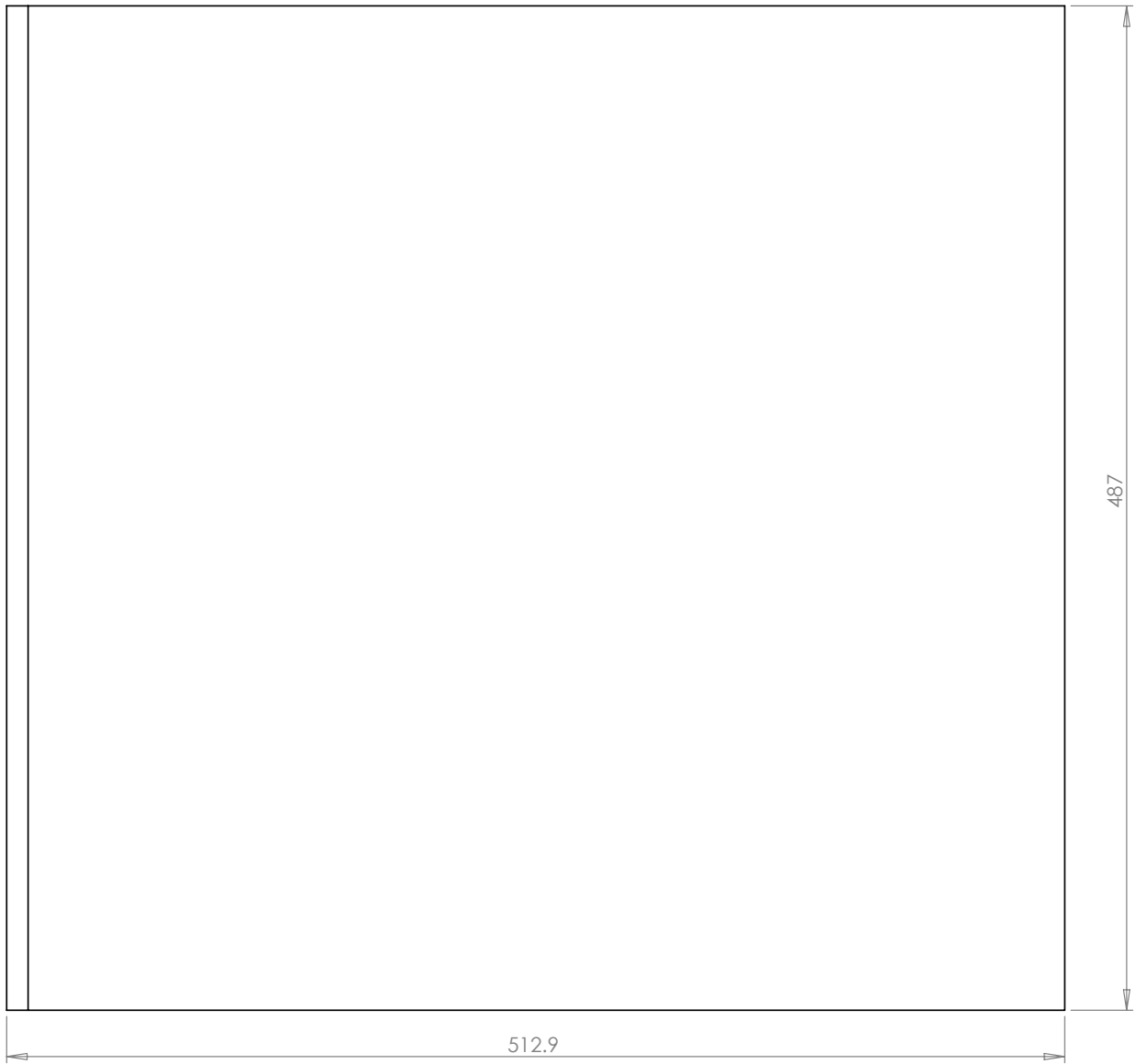


MATERIAL	QTY
18mm thick board	x2

21 FRONT PANEL



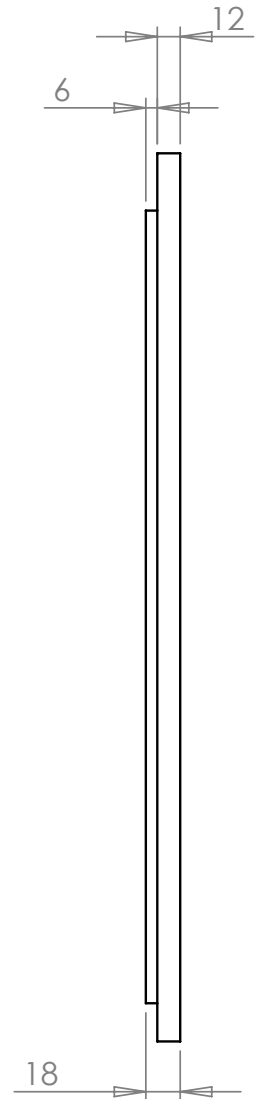
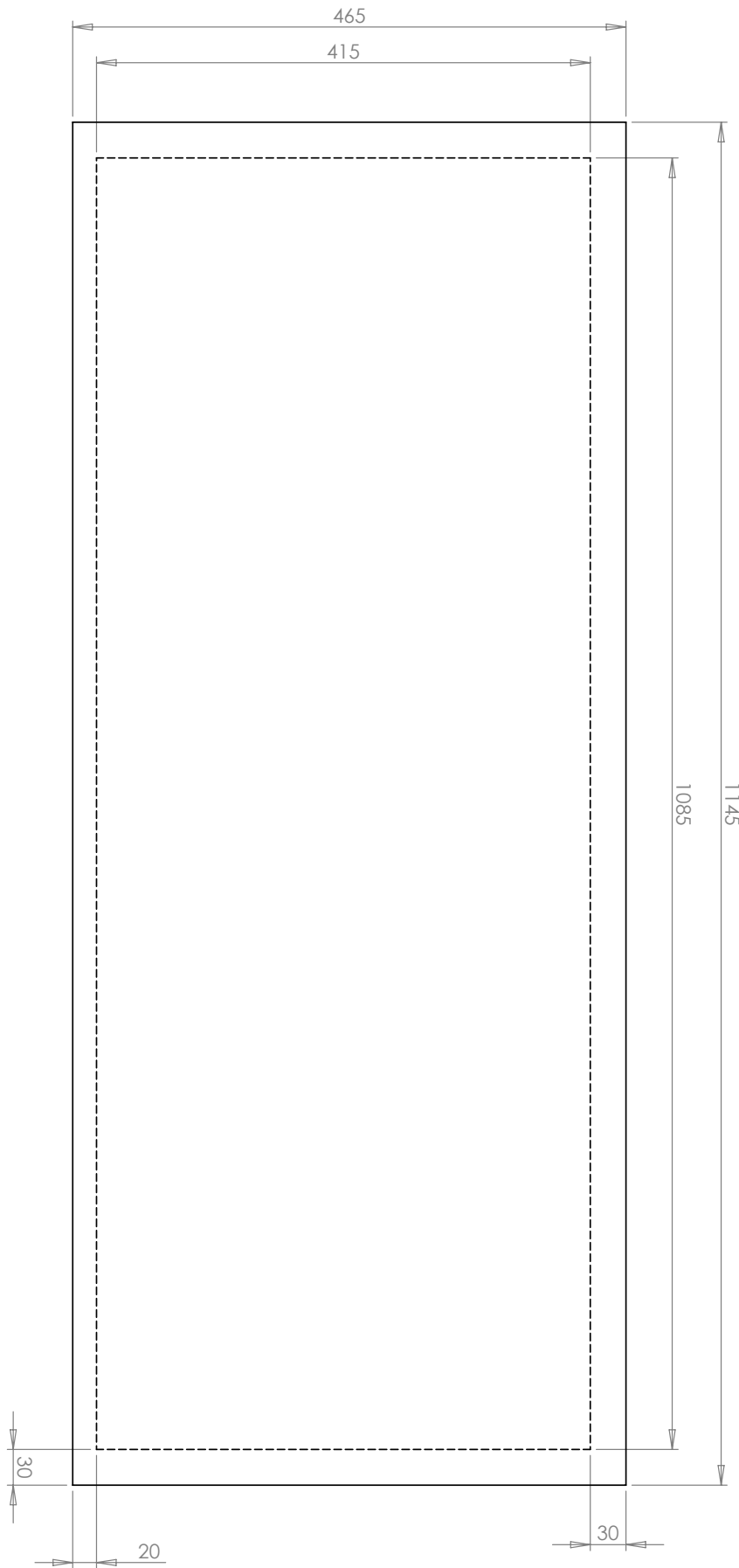
MATERIAL	QTY
18mm thick board	x1



DETAIL G

MATERIAL	QTY
18mm thick board	x2

23 TOP PANEL



MATERIAL	QTY
Min 12mm thick worktop	x1
Optional 6mm panel	x1

The Top Panel may have an additional inset panel to help locate it within the cabinet walls.